

1550nm Acousto Optic Modulator Module

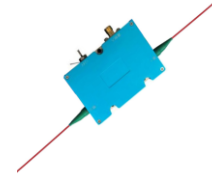
1550nm Acousto Optic Modulator Module (AOM) is a kind of external optical modulator with RF driver intergrated inside, it's built with Tellurium dioxide crystal, which can modulate the light optical power, Phase, intensity or phase shift, it based on Acousto-optic effect to change the refractive index of crystal through mechanical strain caused by the oscillation of sound waves, the operating wavelength from visible light to infrared light, it's widely used in Ultrafast Laser, Doppler Coherence, Q-switched Laser and LIDAR System, it features fast response time, low insertion loss, high extinction ratio and high reliability, the parameter can be customized upon request.

Application:

Quantum Communication
Ultrafast Laser
Doppler Coherence
LIDAR System

Features:

Fast Response time
low Insertion Loss
High Extinction Ratio
High Reliability



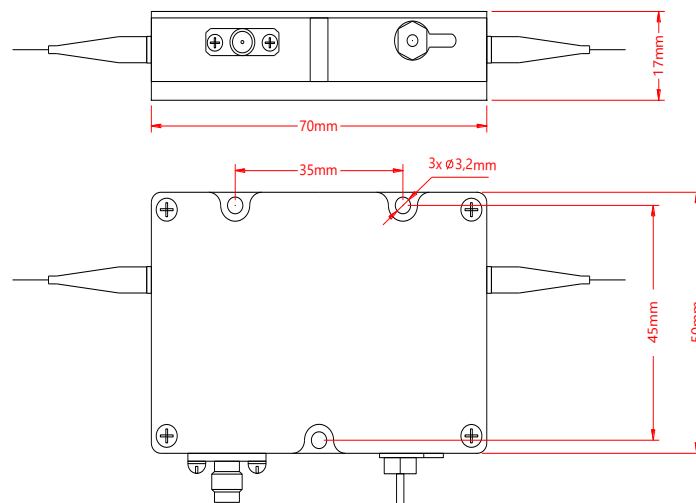
Optical and Electrical Specification:

Parameter	Symbol	Value			Unit
Center Wavelength	λ_c	1550			nm
Bandwidth	Bw	1530-1570			nm
Operating Frequency	F	80	120	200	MHz
Max. Insertion Loss	IL	2.5	2.5	4.5	dB
Max. Optical Peak Rising Time	Tr	50	50	12	ns
Min. Extinction ration (1st order on/off)	ER	50			dB
Min. Polarization Extinction Ratio (For PM Version)	PER	20			dB
Max. Polarization Dependent Loss (For Non-PM Version)	PDL	0.5			dB
Max. CW Optical Power	P	0.5, 1, 3, 5 or specify			W
Max. Peak Power	P	5			kW
RF Interface		SMA			-
Analog Modulation		0-1V @50 Ω			-
Digital Modulation		High Level: 3.3-5V, Low Level: 0-0.02V, @1K Ω			-
Power Supply Connection		Capacitor Feed (core wire: +, Solder: -)			-
Fiber Type		PM 1550 Panda fiber or SMF-28e fiber			-
Operating Temperature	T	-10~+70			$^{\circ}$ C
Storage Temperature	T	-40~+85			$^{\circ}$ C

Notice: Above specifications are tested in room temperature at 23 $^{\circ}$ C.

Specifications may change without notice.

Drawing:



Ordering Information (Part Number):**AOMM-WWW-BB-M-FF-HH-J-LL-CC**

WWW	BB	M	FF	HH	J	LL	CC
Wavelength	Operating Frequency	Modulation Type	Fiber Type	Handling Power	Fiber Jacket	Fiber Length	Connector
1550 - 1550nm SSSS - Specify	80 - 80MHz 120 - 120MHz 200 - 200MHz SSS - Specify	A - Analog D - Digital	P5 - PM 1550 S2 - SMF-28e	Z5 - 500mW 01 - 1W 03 - 3W 05 - 5W SS - Specify	B - 250um Bare Fiber L - 900um Loose Tube	02 - 0.2m 05 - 0.5m 10 - 1.0m 15 - 1.5m 20 - 2.0m SS - Specify	NE - None FA - FC/APC FU - FC/UPC LA - LC/APC LU - LC/UPC SA - SC/APC SU - SC/UPC SS - Specify

